



45A Cooker Switches



A comprehensive selection of metal clad electrical accessory products are featured in the following pages. Electrophoretically coated plates and back boxes provide a durable and long lasting heavy duty finish to this attractive range of products.

All switch products are of modular construction allowing the installer total freedom in designing customised switching solutions according to on-site needs.

45A Cooker Switches

Product Range

45A Plate Switches (Red Rockers)

CL200	45A 1 Gang Single Cooker Switch
CL201	45A 1 Gang Single Cooker Switch with Neon
CL202	45A 2 Gang Single Cooker Switch
CL203	45A 2 Gang Single Cooker Switch with Neon



CL200



CL201



CL202



CL203

Errors & Omissions excluded. Specification is subject to change without notice. All Metal Clad 45A Cooker Switches are provided with 50mm deep boxes.

V1.0

Scolmore International Ltd, 1 Scolmore Park, Landsberg, Lichfield Road Ind. Estate, Tamworth, Staffordshire, B79 7XB

Telephone: 01827 63454

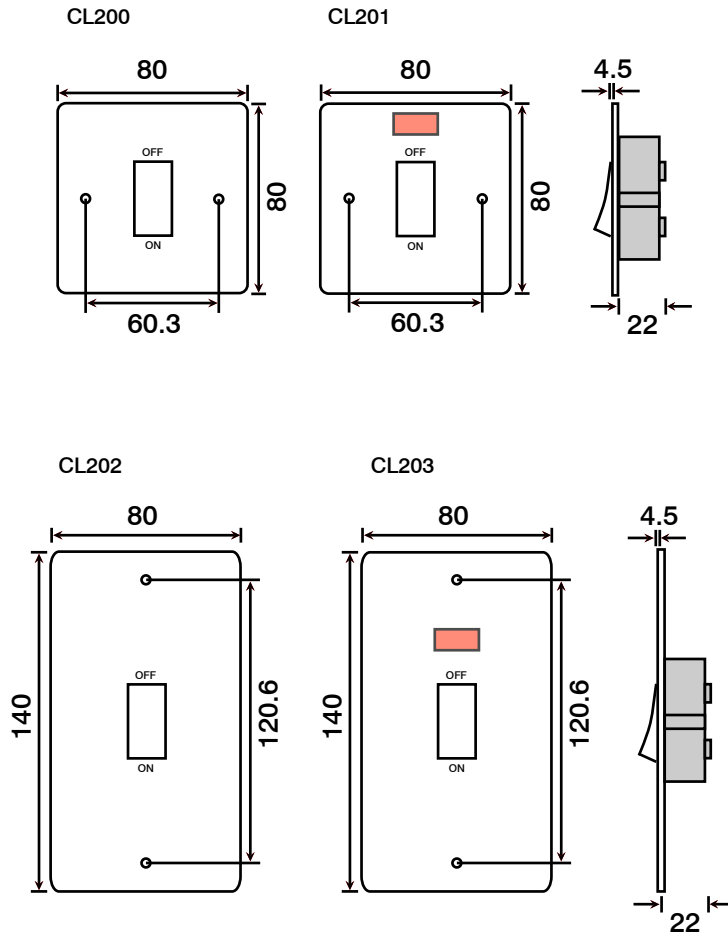
E-mail: sales@scolmore.com, technical@scolmore.com

Facsimile: 01827 63362

Website: www.scolmore.com

45A Cooker Switches

Product Dimensional Drawings (mm)



Errors & Omissions excluded. Specification is subject to change without notice.

V1.0

Scolmore International Ltd, 1 Scolmore Park, Landsberg, Lichfield Road Ind. Estate, Tamworth, Staffordshire, B79 7XB

Telephone: 01827 63454

E-mail: sales@scolmore.com, technical@scolmore.com

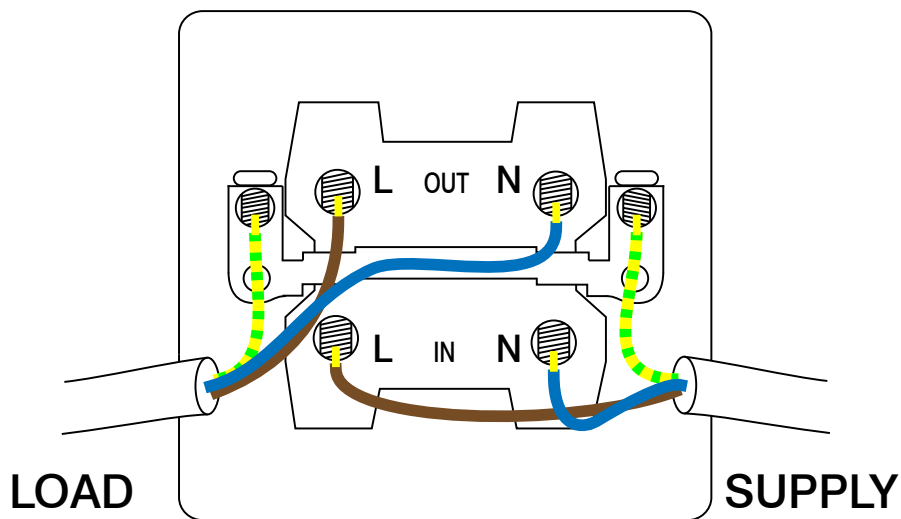
Facsimile: 01827 63362

Website: www.scolmore.com

45A Cooker Switches

Wiring Diagrams

45A Cooker Switch



45A Cooker Switches

Technical Specification

45A Cooker Switches

Material Composition	Front Plate & Back Box: Electrophoretically Coated Steel Rocker Switch & Rear Housing: Urea Terminals: Brass Earth Strap: Mild Steel Terminal Screws: Steel & Yellow Passivated Silver "on-lay" Copper / Brass Contacts
Voltage	240V~ 50Hz
Current Rating	45A
Terminal Size	6mm ø
Torque Value	2.5Nm
Cable Size	4 x 4mm ² , 3 x 6mm ² or 1 x 10mm ²
Back Box Depth	50mm Provided
Knockout Sizes	20mm
Double Pole	Yes
Twin Earth	Yes
Warranty	10 Years
IP Rating	IP20
Operational Temperature	-5° to +40°C
Standards	The Low Voltage Directive 2006/95/EC EN 60669-1:1999 + A1:2002 + A2:2008 (BS EN 60669-1:2000)

Additional Information

Ensure that the mains supply is isolated before commencing installation and refer to the circuit diagram with the relevant product.

Bare earth cables must always be covered with appropriate sleeving and wired to the earth terminal.

DECLARATION OF CONFORMITY

1. *Issuer Name* Scolmore International Limited
2. *Issuer Address* 1 Scolmore Park, Landsberg,
Lichfield Road Industrial Estate,
Tamworth, Staffordshire, B79 7XB
3. *Object(s) of Declaration* Metal Clad Range
- a. *Group* 45A Cooker Switches
- b. *Model No.* CL200, CL201, CL202, CL203
4. *The object of the declaration described above is in conformity with the requirements of the following Legislations:*
- | Document No | Title |
|-------------|-----------------------|
| 2006/95/EC | Low Voltage Directive |

5. *All products contained within the aforementioned comply with the relevant standards and requirements listed below.*

EN 60669-1:1999 + A1:2002 + A2:2008

6. *I hereby declare that the equipment named above has been designed to comply with the relevant sections of the above referenced specifications. The unit complies with all applicable Essential Requirements of the Directives.*

In conjunction with the above all manufacture and process controls are in accordance with ISO 9001:2008

Signed, for and on behalf of: Scolmore International Limited



Steven Bettson BSc - Senior Technical Support Engineer

CE 13